

# Little GIANT®

## 1-EAYS Series



### Features

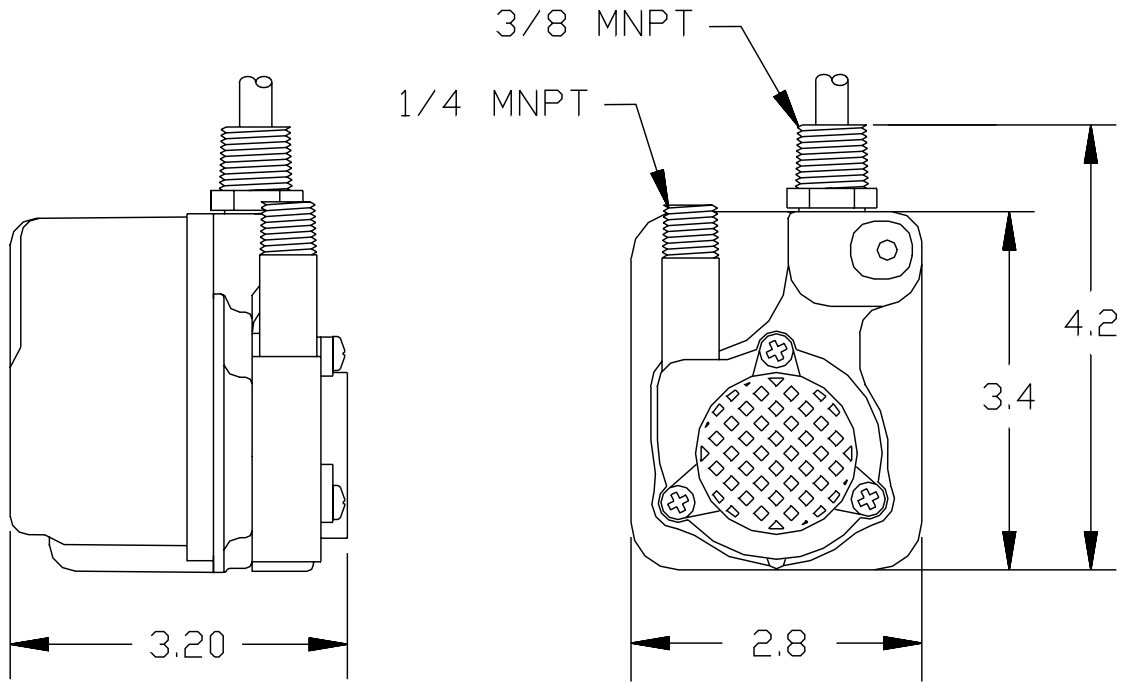
- Epoxy encapsulated motor
- Nylon volute, impeller & screen
- Conduit fitting for mounting
- Submerged use only in parts washers
- Viton® shaft seal
- UR & C-CSA for PJQU solvents
- 170 GPH @ 1
- 6' cord, no plug

### Construction

- Motor — 1/125 HP
- Intermittent Liquid Temp. up to — 120°F
- Intake — N/A
- Discharge — 1/4" MNPT
- Housing — Polyester
- Cover — Aluminum
- Volute — Nylon
- Impeller — Nylon
- Shaft Seal — Viton®
- Screen — Nylon

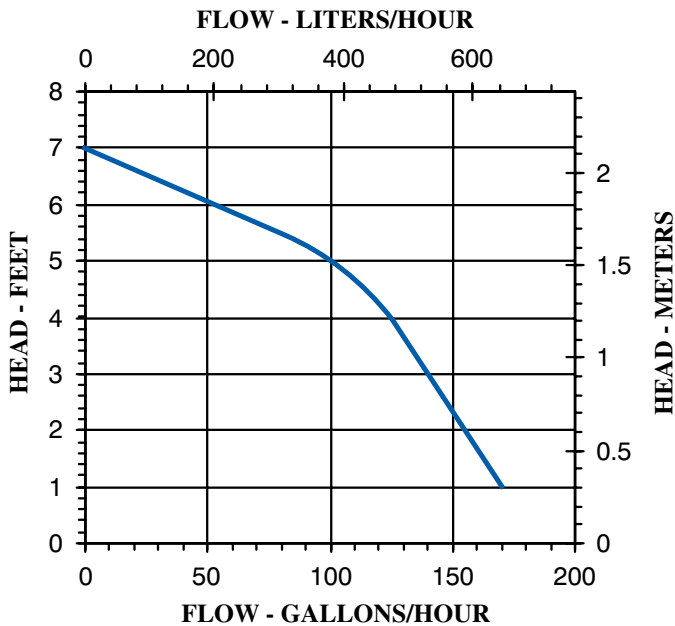
Epoxy encapsulated, centrifugal pump is designed to be used in submerged parts washer applications only. Nylon volute, epoxy filled polyester and aluminum motor housing. 6' power cord with 3/8" MNPT conduit connector at pump housing. 1/4" MNPT discharge. For pumping unheated metal parts cleaning solvent which is UL classified as PJQU, as described in the Gas and Oil Equipment Directory. These refined petroleum distillates are free from tendency to heat spontaneously; they have a closed cup flash point no lower than 100°F.

# 1-EAYS Series



## Specifications

Model No.	Item No.	Discharge Size	Listings	HP	Volts	Hertz	Amps	Watts	Performance (GPH@Head)			Shutoff		Cord Length (ft.)	Weight (lbs.)
									1'	3'	5'	Fl.	P.S.I.		
1-EAYS	518020	1/4" MNPT	UR/C-CSA	1/125	115	60	0.6	100	170	140	100	7	3.0	6	2.80



## Replacement Parts

Volute	101351
Impeller	118442
Screen	118903